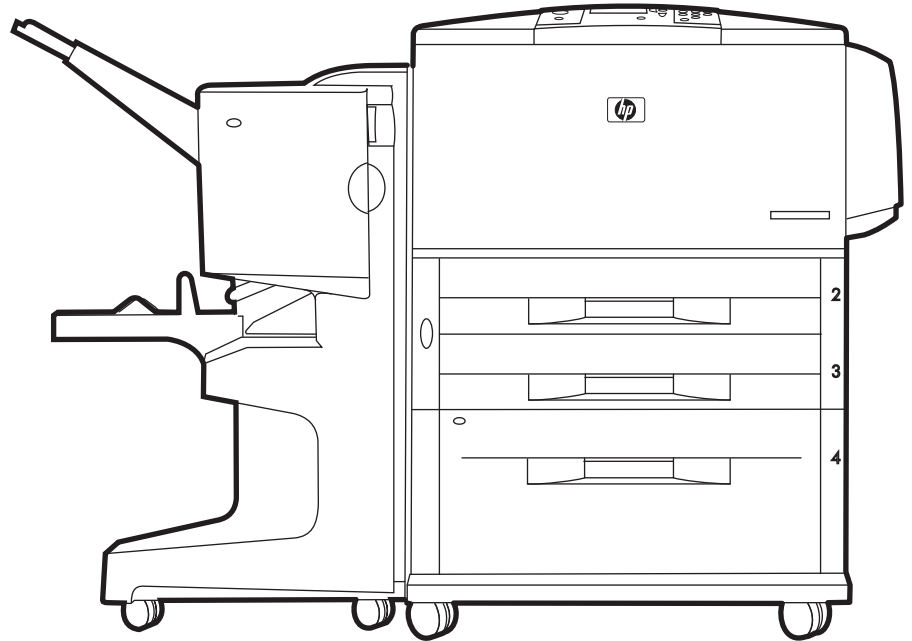


# HP LaserJet 9000/9040/9050 Service Manual





# HP LaserJet 9000, 9040, and 9050 Series printers

**Service**\_\_\_\_\_

### Copyright and License

© 2005 Copyright Hewlett-Packard Development Company, LP

Reproduction, adaptation or translation without prior written permission is prohibited, except as allowed under the copyright laws.

Part number: Q3721-90963

Edition 1, 4/2005

The information contained herein is subject to change without notice.

The only warranties for HP products and services are set forth in the express warranty statements accompanying such products and services. Nothing herein should be construed as constituting an additional warranty. HP shall not be liable for technical or editorial errors or omissions contained herein.

### Trademark Credits

Adobe® and PostScript® are trademarks of Adobe Systems Incorporated.

MS-DOS® is a U.S. registered trademark of Microsoft Corporation.

ENERGY STAR® is a U.S. registered service mark of the United States Environmental Protection Agency.



# Table of contents

## Table of contents

## List of tables

## List of figures

### 1 Product information

Product features of the HP LaserJet 9000 Series printers . . . . .	2
Product features of the HP LaserJet 9040/9050 Series printers . . . . .	4
Product specifications . . . . .	6
Product overview . . . . .	10
External view of the printer and accessories . . . . .	10
Interface connections . . . . .	11
Optional accessories . . . . .	12
Regulatory information . . . . .	13
Regulatory requirements . . . . .	13
FCC regulations . . . . .	13
Declaration of conformity . . . . .	13
Environmental product stewardship program . . . . .	13
Service approach . . . . .	14
Parts and supplies . . . . .	14
Warranty . . . . .	14
Limited warranty for print-cartridge life . . . . .	14

### 2 Product requirements

Site requirements . . . . .	16
Operating environment . . . . .	16
Space requirements . . . . .	17
Media specifications . . . . .	19
Guidelines for selecting print media . . . . .	19
Special media specifications . . . . .	19
Storing print media . . . . .	22
Media input/output options . . . . .	25
Trays, bins, and paper handling . . . . .	25
Supported sizes of paper for input and output . . . . .	26

### 3 Product configuration

Using the control panel . . . . .	30
Control-panel buttons . . . . .	31
Numeric keypad commands . . . . .	32
Settings and defaults . . . . .	33
Setting the display language . . . . .	33
Setting the tray registration . . . . .	33
Printer driver information . . . . .	36
Control-panel menus . . . . .	37
Using a menu map . . . . .	37

Retrieve job menu . . . . .	38
Information menu . . . . .	38
Paper-handling menu . . . . .	39
Configure device menu. . . . .	41
Printing submenu . . . . .	41
Print-quality submenu . . . . .	44
System setup submenu . . . . .	46
I/O submenu. . . . .	48
Resets submenu . . . . .	53
Diagnostics menu . . . . .	54
Service menu . . . . .	54
Remote firmware upgrade (RFU) . . . . .	55
Upgrading firmware to a single printer . . . . .	55

## 4 Product maintenance

Preventative maintenance . . . . .	60
Preventive maintenance kit contents . . . . .	60
Cleaning the printer and accessories . . . . .	61
General cleaning . . . . .	61
Internal cleaning. . . . .	62
Fuser cleaning . . . . .	65
Print cartridge information . . . . .	67
Storage. . . . .	67
Handling instructions . . . . .	67
Refilled print cartridges . . . . .	68
Print-cartridge weights . . . . .	68
Print-cartridge life expectancy . . . . .	68
Saving toner by using EconoMode . . . . .	68

## 5 Theory of operation

Basic operation. . . . .	70
Sequence of operation. . . . .	71
Power-on sequence . . . . .	73
Timing chart . . . . .	74
Engine control system . . . . .	75
DC controller PCA . . . . .	76
DC controller operations . . . . .	77
High-voltage power supply circuit . . . . .	78
Low-voltage power supply unit. . . . .	80
Formatter system . . . . .	81
Formatter hardware . . . . .	81
Laser/scanner system . . . . .	83
Image formation system . . . . .	84
The eight processes of image formation . . . . .	84
Print cartridge. . . . .	85
Pickup and feed system . . . . .	87
Media-size detection . . . . .	87
Media-level detection . . . . .	87
Multifeed prevention. . . . .	87
Overhead-transparency detection . . . . .	87
Fuser-wrapping-jam detection . . . . .	87
Jam detection . . . . .	88
Tray 1 . . . . .	93
Tray 1 driver PCA. . . . .	93
Power supply . . . . .	93
Sequence of operation. . . . .	93
Pickup and feed . . . . .	94
Jam detection . . . . .	94

Tray 4 . . . . .	95
Tray 4 driver PCA . . . . .	95
Power supply . . . . .	95
Sequence of operation . . . . .	95
Pickup and feed . . . . .	96
Media-level and media-size detection . . . . .	96
Jam detection . . . . .	96

## 6 Removal and replacement

Introduction . . . . .	99
Removal and replacement strategy . . . . .	99
Repair notices . . . . .	99
Electrostatic discharge (ESD) . . . . .	99
Required tools . . . . .	99
Orientation of the printer (with tray 4) . . . . .	100
Covers . . . . .	101
Right top cover . . . . .	101
Left top cover . . . . .	103
Front cover . . . . .	104
Right door . . . . .	105
Right lower cover . . . . .	106
Left door and diverter . . . . .	107
Left back cover . . . . .	108
Back cover . . . . .	109
Right and left rail covers . . . . .	110
Top assemblies . . . . .	111
Control panel . . . . .	111
Laser/scanner assembly . . . . .	112
Delivery assembly . . . . .	113
Delivery-fan assembly . . . . .	114
Delivery-assembly fans and face-down-bin fan (fans 3, 6, and 4) . . . . .	115
Delivery motor . . . . .	116
Cartridge release lever . . . . .	117
Front assemblies . . . . .	119
Print cartridge . . . . .	119
Transfer-roller assembly . . . . .	120
Tray 2 and tray 3 (interchangeable) . . . . .	121
Rollers (pickup, feed, or separation) . . . . .	122
Fuser-jam-removal knob . . . . .	123
Registration-jam-removal knob . . . . .	124
Right assemblies . . . . .	125
Tray 1 . . . . .	125
Paper-input unit (PIU) . . . . .	126
Registration assembly . . . . .	129
Transfer-guide assembly . . . . .	131
Left assemblies . . . . .	133
Duplexer . . . . .	133
Fuser assembly . . . . .	134
Back assemblies . . . . .	135
Formatter . . . . .	135
Low-voltage power supply . . . . .	136
High-voltage power supply . . . . .	137
DC controller . . . . .	138
Toner-sensor contact assembly . . . . .	140
Drum motor . . . . .	141
Feed-drive assembly . . . . .	142
Power-supply fan (fan 1) . . . . .	143
Cartridge fan (fan 5) . . . . .	144

Controller fan (fan 2)	145
Jetlink connector	146
Fuser-connector holder assembly	147
Fuser delivery-drive assembly	149
Tray 4	151
Orientation	151
Left side cover	151
Right side cover	152
Back covers	153
Tray 4	154
Rollers (pickup, feed, and separation)	155
Registration assembly	156
Drive motor	157
Drive assembly	158
Controller board	159
Paper-size detection switch PCA	160
Power supply	161
Pickup assembly	162
Paper-connecting unit	163

## 7 Troubleshooting

Troubleshooting process	167
Basic troubleshooting process flow	168
Preliminary operating checks	170
General troubleshooting information	171
Abnormal noises are evident, such as grinding or chattering when the main motor is turned on	171
Media does not feed from tray x when printing from a software program; the paper-path test is successful	171
Media does not print from tray 4	171
The printer stops printing and hangs on certain jobs	171
Envelopes are wrinkling	172
Fusing is poor	172
The printer feeds from an incorrect tray when different media is selected for the first page of the job	172
Power-on	174
Troubleshooting by using control-panel messages	175
Event log page	175
Control-panel messages	178
Control-panel and event-log message format	179
Printer-message tables	179
Alphabetical error messages	180
Numerical error messages	188
User- and service-level diagnostics	213
Paper-path test	213
Service test	213
Service-level diagnostics	215
Engine test	215
Service menu	215
Diagnostics flowchart	216
Other diagnostics for the HP LaserJet 9000, 9000mfp, and 9000Lmfp	217
Cold reset	217
Other diagnostics for the HP LaserJet 9040/9050, 9040mfp, and 9050mfp	219
Cold reset	219
Tray 4 diagnostics	221
Diagnostics label	221
Motor test	221
Standalone running test	222

Sensor test . . . . .	222
Light-pattern interpretation . . . . .	223
Jam troubleshooting . . . . .	224
Jams . . . . .	225
Customer print job. . . . .	225
Clearing jams . . . . .	225
Evaluate the information pages. . . . .	226
Configuration page . . . . .	226
Jetdirect page . . . . .	229
Supplies status page . . . . .	230
Usage page . . . . .	231
File directory page . . . . .	232
Image-formation troubleshooting . . . . .	233
Check the print cartridge. . . . .	234
EconoMode. . . . .	234
Skew . . . . .	234
Image-defect tables . . . . .	235
Repeating defect ruler . . . . .	243
Media troubleshooting . . . . .	244
Determine the problem source: media or printer . . . . .	244
Isolate a paper path . . . . .	244
Isolate a media brand . . . . .	245
Isolate a media type . . . . .	245
Communication troubleshooting . . . . .	246
Communications check. . . . .	246
Jetdirect configuration . . . . .	246
Embedded LAN troubleshooting (HP LaserJet 9040n/9050n, HP LaserJet 9040dn/9050dn, HP LaserJet 9050mfp, and HP LaserJet 9040mfp only). . . . .	247
Wiring diagrams . . . . .	251

## 8 Parts and diagrams

Introduction . . . . .	256
Ordering parts . . . . .	256
Consumables, supplies, accessories, FRUs, and documentation . . . . .	257
Common hardware . . . . .	261
Illustrations and parts lists . . . . .	262
External covers and panels. . . . .	262
Left door and diverter . . . . .	264
Right cover assembly . . . . .	265
Internal . . . . .	266
Internal components . . . . .	266
Drum feed drive assembly . . . . .	274
Fuser delivery drive assembly . . . . .	275
Cartridge lifter assembly . . . . .	276
500-sheet trays (tray 2 and tray 3) . . . . .	277
Paper input unit. . . . .	278
Registration assembly. . . . .	279
Transfer roller assembly . . . . .	280
Delivery assembly . . . . .	281
PCA assembly location . . . . .	283
Tray 4 . . . . .	284
Tray 4 main body . . . . .	284
Tray 4 drive assembly. . . . .	288
Tray 4 PCA location . . . . .	289
Tray 1 . . . . .	290
Alphabetical parts list . . . . .	291
Numerical parts list . . . . .	296